

# PERKO®

## BILL OF MATERIAL

No.	Name of Piece	No. Req.	Material	Size & Spec
1	Cap & Cable Assy	1	Polycarb.	Cat. No. 1105
2	O-Ring Cat. No. 1119	1	Neprene	4.58" x 4.14" x .18"
3	Top Assembly	1	Brass or Galv Steel	20 Ga. - .032"
4	Lens (See Note #1)	1	Polycarb.	(See Note #1)
5	Bottom Assy w/Guard	1	Brass or Galv Steel	20 Ga. - .032"
6	Socket	1	Phenolic	(See Note 3c)
7	Socket Support Stand	1	Brass	Cat. No. 0341001PLB
8	Socket Mounting Screw	2	Stainless Steel	2-3/8 x 3/4" FLH
9	Ground Screw and Nut	1	Stainless Steel	2-3/8 x 3/4" FLH
10	Screws	6	Stainless Steel	
11	Packing Nut	1	Brass	For 7/16"-SO Cable
12	Packing Gland Ring	1	Brass	For 7/16"-SO Cable
13	Certification Plate	1	Brass	Not Available

### NOTES:

- Lens** American Made Fresnel, 360° PERKO Cat. No. 0261F, Size 1  
White-All-Round  
Red-All-Round  
Green-All-Round  
Yellow-All-Round
- Socket** Medium Profocus phenolic; 250 Volts - 1000 watts  
Bryant No. 3743 U.L. Listed (Cat. No. 0347A00)
- Weight** 6lbs, 10oz.

### VISIBILITY AND WATTAGE SPECIFICATIONS\*

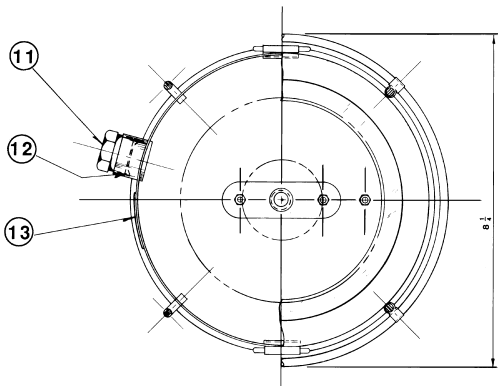
Cat. No.	Description	Visible Arc	For Vessels Over 20 Meters (65.6 FL) in Length		
			Visible Miles	Reg. Watts	Lamp Cat. No.
1153E01	White All-Round	360°	2	15	0342001CLR
1154RE1	Red-All-Round	360°	2	60	0342004CLR
1154GE1	Green-All-Round	360°	2	40	0342003CLR
1154ME1	Yellow-All-Round	360°	2	25	0342002CLR

\*Bulb Data - These are special PERKO Navigation Lamps, 120 Volts, T-10, Profocus Medium Base, C-8 Filament, Clear 2-3/8 Inch L.C.L., and must be used to meet the '72 COLREGS.

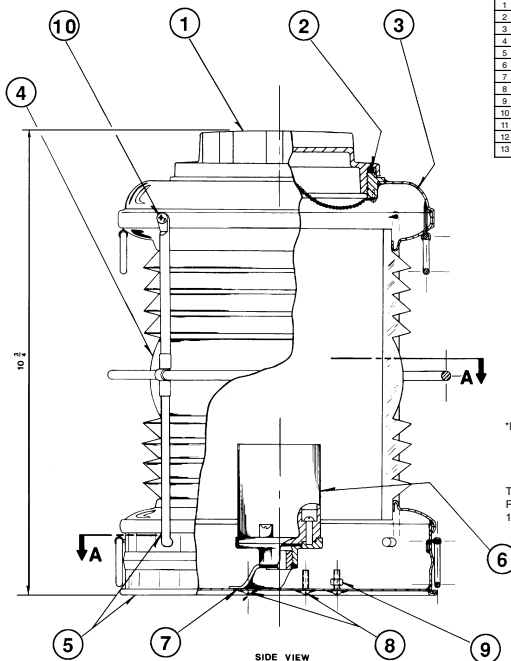
These navigation lights meet the U.S. Coast Guard Requirements by Underwriters' Laboratories Standard U.L. 1104 to meet the '72 COLREGS.

### NOTE:

WIRE ONLY THROUGH TERMINAL TUBE USING 16/3 SJO CABLE WITH 7/16 INCH NOMINAL O.D. TO RETAIN WATERTIGHT INTEGRITY AND COMPLY WITH U.L. 1104.



SECTION "A-A"



SIDE VIEW

<b>PERKO®</b>	
16490 N.W. 13th Avenue	Miami, FL 33169-5707
Date: 8/4/82	Drawn By: D. Beutler
Scale: None	Revised: 3/7/00
CAT. NOS. 1153 - 1154 SIZE NO. 1 ALL-ROUND NAVIGATION LIGHTS	

**NAVIGATION LIGHT CERTIFICATE OF COMPLIANCE**

This navigation light has been tested and classified by UNDERWRITERS' LABORATORIES, INC. (U.L.) in accordance with the '72 COLREGS and the U.S. INLAND NAVIGATION RULES ACT OF 1980. When properly installed, and fitted with the correct lamp, this light is approved by the U.S. Coast Guard for use aboard U.S. Coast Guard inspected vessels. This certification is also accepted by other inspecting authorities. An identification plate attached to the light provides lamp replacement and official certification information.

Upon installation, record information below from the identification plate, as applicable to the class of vessel on which the light is to be fitted.

Type of Light \_\_\_\_\_  
(White All-Round, Red All-Round, Etc.)

Cat. No. \_\_\_\_\_  
(1155-E01 and 1151-RE1, Etc.)

D.O.M. No. \_\_\_\_\_  
(Die Stamped)

Vessel Length \_\_\_\_\_  
(Under 90 Meters)

Replacement Lamp \_\_\_\_\_  
Cat No. of lamp

Date of Installation \_\_\_\_\_

Vessel Identification \_\_\_\_\_

3/00

PERKO, INC.  
16490 N.W. 13th Avenue  
Miami, FL 33169-5707